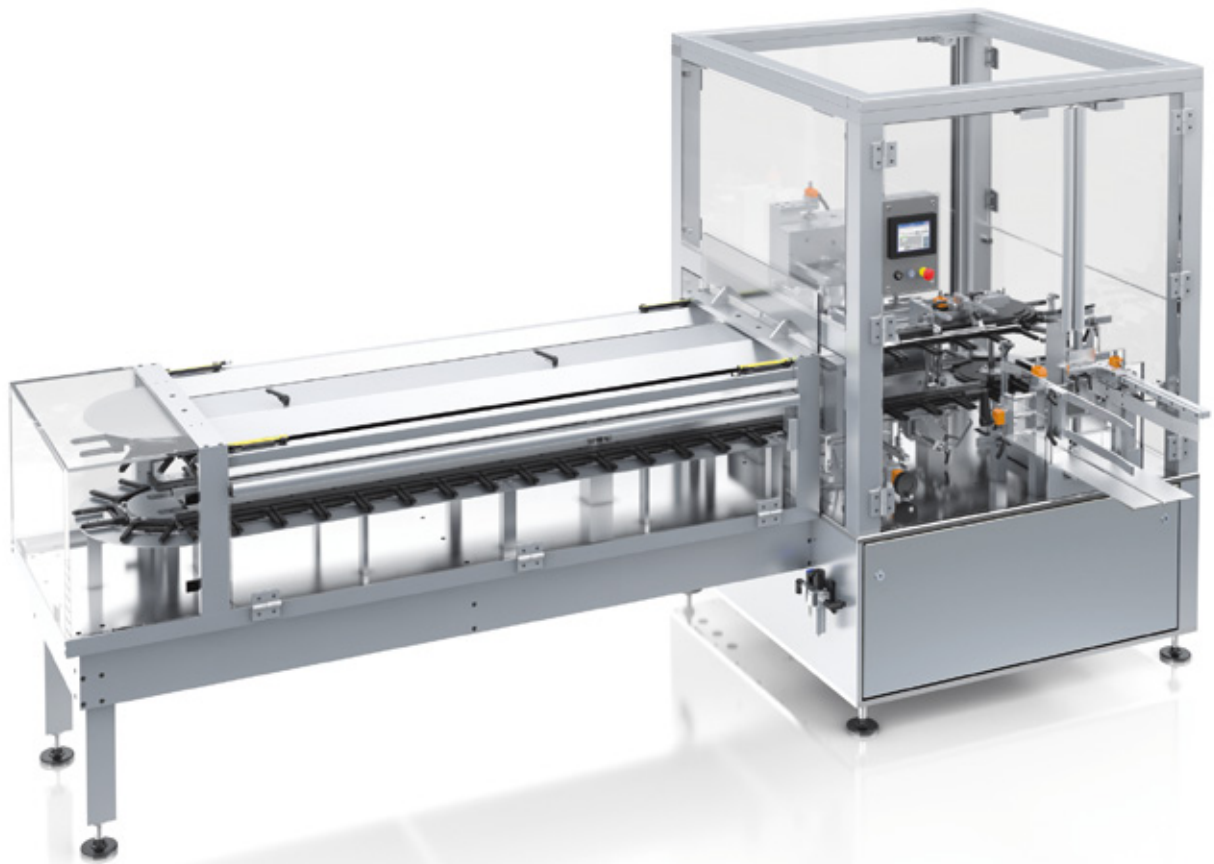
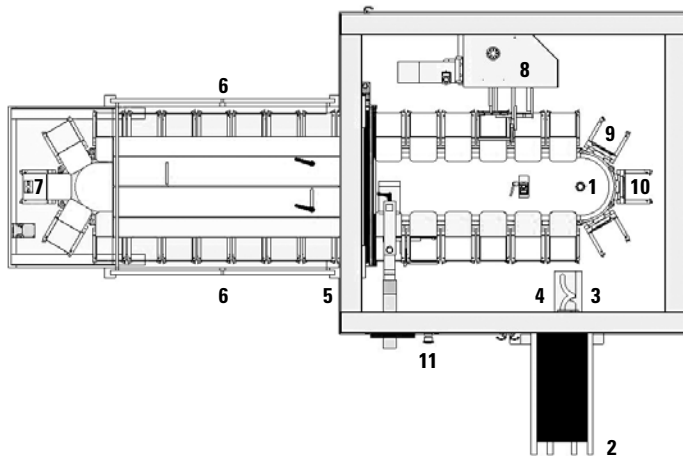


OYSTAR IWK presents the new
VI 5 – Vertical Cartoning Machine
the high productive, ergonomic cartoner
at affordable cost

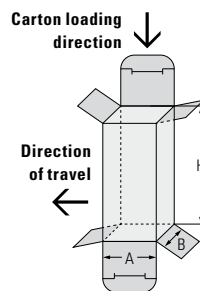
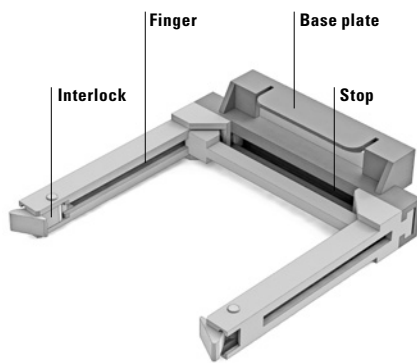


- 75 cartons/min.
- Working principle: intermittent, vertical
- Open and accessible work area
- Modular extendable machine length for optimal footprint
- Easy to clean
- Touch screen operating panel (HMI)
- Cartoner of various packing application (e.g. bottles, tubes, blister, jars, pouches, bags etc.)
- Completely servo driven



Concept

- 1 Transport System
- 2 Carton magazine
- 3 Carton erection system
- 4 Carton closing (lower flap)
- 5 Leaflet feeding unit (option)
- 6 Manual product loading
- 7 Automatic product loading (option)
- 8 Carton closing (upper flap)
- 9 Bad carton discharge
- 10 Good carton discharge
- 11 Touch screen operating panel (HMI)

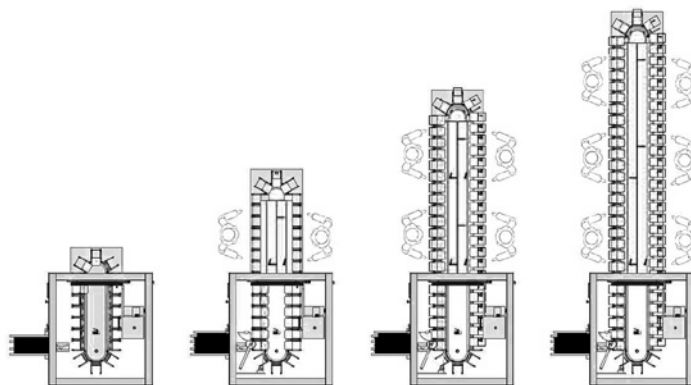


Very Fast Format Change

- Easy, repeatable format change
- Rapid change over function due to central height adjustment of transport system and quick exchangeable carton buckets via click system
- No adjustment of rails needed in curve

Format Range

A 25–100 mm, B 20–90 mm, H 50–230 mm



Transport System

- Servo driven cam guided transport system with strong degree of positioning precision
- The basic machine consists of 22 carton carriers and a corresponding number of stations
- The machine can be equipped with additional extensions of the transport system

